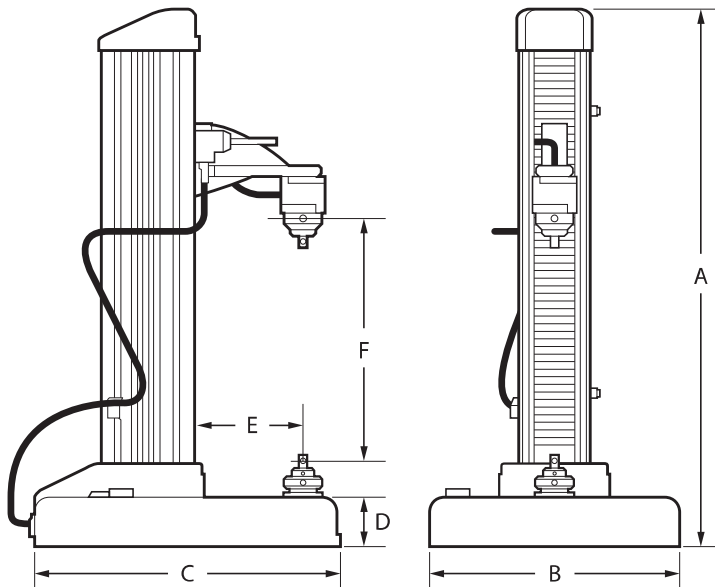


# 7 Specifications

## Technical Specifications

### Dimensions



A	Height	CS2+225	39.4 in / 1001 mm
		CS2+1100	51.6 in / 1310 mm
B	Width (excluding console)	CS2+225	18.1 in / 460 mm
		CS2+1100	18.1 in / 460 mm
C	Depth	CS2+225	21.9 in / 557 mm
		CS2+1100	21.9 in / 557 mm
D	Base Height	CS2+225	4.3 in / 108 mm
		CS2+1100	4.3 in / 108 mm
E	Throat Depth	CS2+225	7.1 in / 180 mm
		CS2+1100	5.9 in / 150 mm
F	Crosshead Travel	CS2+225	19.7 in / 500 mm
		CS2+1100	31.5 in / 800 mm

<b>Force Capacity</b>	
CS2+225	225 lbf / 1000 N
CS2+1100	1124 lbf / 5000 N
<b>Maximum Crosshead Travel (between the eye ends)</b>	
CS2+225	19.7 in / 500 mm
CS2+1100	31.5 in / 800 mm
<b>Throat Depth</b>	
CS2+225	7.1 in / 180 mm
CS2+1100	5.9 in / 150 mm
<b>Crosshead Speed Range (at full load)</b>	
CS2+225	0.001 to 50 in/min / 0.01 to 1270 mm/min
CS2+1100	0.001 to 40 in/min / 0.01 to 1016 mm/min
<b>Maximum Return Speed</b>	
CS2+225	50 in/min / 1270 mm/min
CS2+1100	40 in/min / 1016 mm/min
<b>Speed Accuracy (unloaded)</b>	
± 1% of selected speed	
2% to 100% of maximum speed.	
<b>Crosshead Displacement Accuracy (unloaded)</b>	
± 0.25% of reading	
2% to 100% of maximum travel.	
<b>Displayed Displacement Resolution</b>	
0.001 in / 0.01 mm	
<b>Load Cell Force Accuracy (non-dedicated)</b>	
± 0.25% full scale of load cell capacity	

<b>Load Cell Force Accuracy (dedicated)</b>	
± 0.10 % full scale of load cell capacity	
<b>Useable Data Sampling Rate</b>	
1000 Hz	
<b>Relative Humidity (non-condensing)</b>	
20 to 85%	
<b>Operating Temperature</b>	
5 to 35° C / 41 to 95° F	
<b>Storage Temperature</b>	
-17 to 54° C / 1 to 129° F	
<b>Supply Voltage (± 10%)</b>	
115 VAC / 230 VAC, 50 to 60 Hz	
<b>Power Rating</b>	
CS2+225	115 VAC @ 3.15 A or 230 VAC @ 3.15 A
CS2+1100	115 VAC @ 6.3 A or 230 VAC @ 6.3 A
<b>Weight of Machine</b>	
CS2+225	115 lb / 52 kg
CS2+1100	145 lb / 66 kg

All systems conform to relevant EU standards and are CE marked.

On site verification as per ASTM E4 and ISO 7500-1 is recommended.